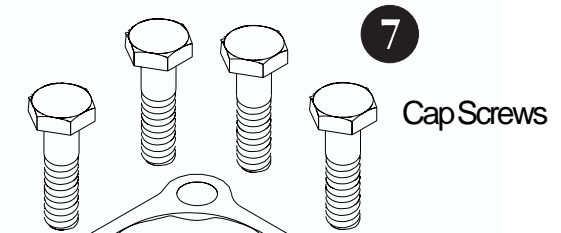


# PARTS LIST - 1" SINGLE PORT VALVES

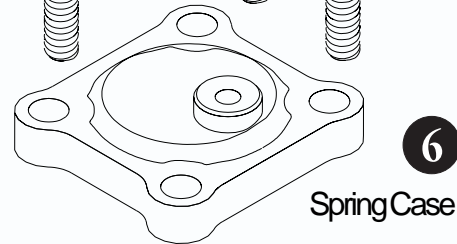
Includes: 1", 1 1/4", 1 1/2" NPT/SWE & 2" x 1" RF Flanged CL 150-600,  
2" x 1" NPT/SWE & 1" RF Flanged CL 150-600

1"  
Single  
Port

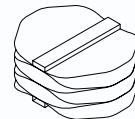
Item	Description	Material	Part Number	Quantity
1	Body - Single Port	Carbon Steel (A216 Gr. WCB)		1
	1" NPT End Connection (FG-11)†		101-051-01	
	1 1/4" NPT End Connection (FG-13)†		101-053-01	
	1" SWE Connection (FG-12)†		101-052-01	
	1 1/4" SWE Connection (FG-14)†		101-054-01	
	1 1/2" NPT End Connection (FG-47)†		101-080-01	
	1 1/2" SWE Connection (FG-48)†		101-081-01	
	1" x 1" CL150 RF Flange* (FG-54)†		101-035-01	
	1" x 1" CL 300 RF Flange* (FG-55)†		101-036-01	
	1" x 1" CL 600 RF Flange* (FG-56)†		101-037-01	
	2" x 1" NPT Connection (FG-49)†		102-070-01	
	2" x 1" SWE Connection (FG-50)†		102-072-01	
1a	2" x 1" CL 150 RF Flanged (FG-51)†		102-085-01	
	2" x 1" CL 300 RF Flanged (FG-52)†		102-086-01	
	2" x 1" CL 600 RF Flanged (FG-53)†		102-087-01	
2	Body Seal			1
	Nitrile	Nitrile	101-059-01	
	Viton	Viton	101-059-02	
3	Throttle Plate			1
	100% Capacity Flowgrid	17-4PHSST	101-055-01	
	75% Capacity Flowgrid	17-4PHSST	101-083-01	
	50% Capacity Flowgrid	17-4PHSST	101-063-01	
	35% Capacity Flowgrid	17-4PHSST	101-061-01	
3a	Throttle Plate			
	100% Capacity Drilled Hole	A 515 w/ ENC Coating	101-084-01	
	75% Capacity Drilled Hole	A 515 w/ ENC Coating	101-085-01	
	50% Capacity Drilled Hole	A 515 w/ ENC Coating	101-086-01	
	35% Capacity Drilled Hole	A 515 w/ ENC Coating	101-087-01	
4	Diaphragm			1
	75 Durometer	Nitrile / Nylon	101-056-01	
	60 Durometer	Nitrile / Nylon	101-056-02	
	80 Durometer Hi-ACN	Nitrile / Nylon	101-056-03	
	80 Durometer Lo-ACN	Nitrile / Nylon	101-056-04	
	Viton	Viton / Nylon	101-056-05	
5	Main Spring	301 Stainless Steel		1
	Standard		101-057-01	
	Low Differential		101-074-01	
6	Spring Case with Diaphragm Guide (A216 Gr. WCB)	Carbon Steel	101-058-01	1
7	Cap Screw (9/16UNC x 2.25 Lg)	SAE Grade 8	030-007-01	4



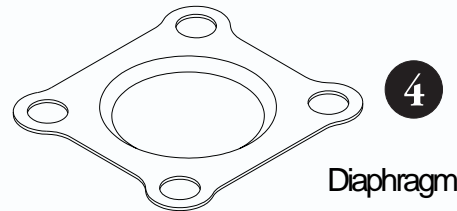
7  
Cap Screws



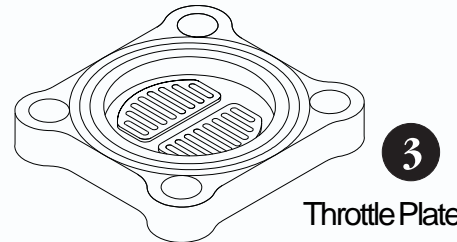
6  
Spring Case



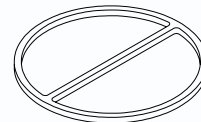
5  
Main Spring



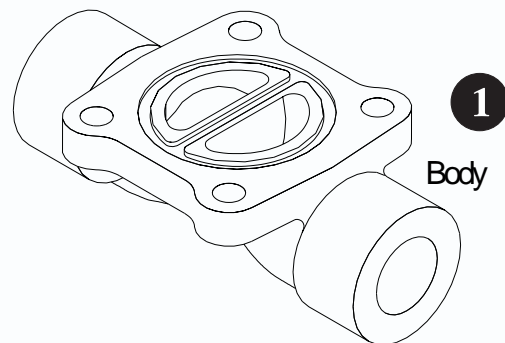
4  
Diaphragm



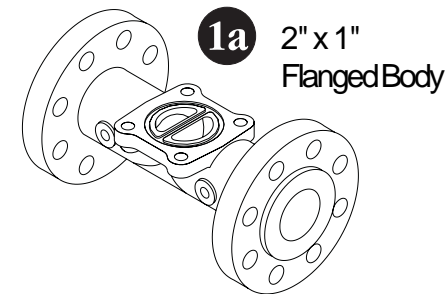
3  
Throttle Plate



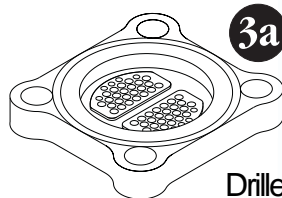
2  
Body Seal



1  
Body



1a  
2" x 1"  
Flanged Body



3a  
Drilled Hole  
Throttle Plate

**Boxed items indicate recommended spare parts**

\*Special Welded Assembly

† (FG-\*) Indicates stock number for the Flowgrid Valve Assembly associated with each body

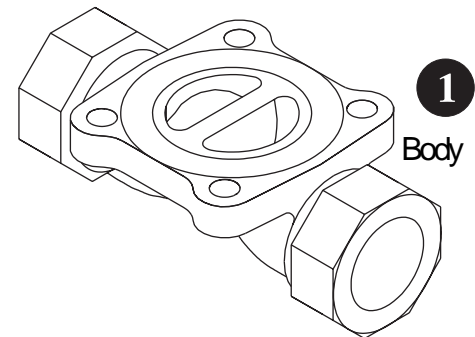
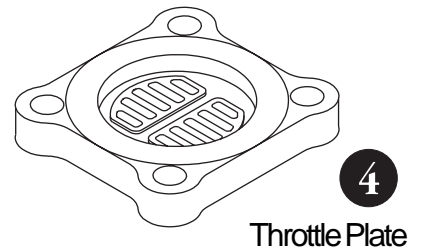
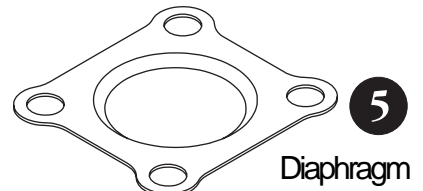
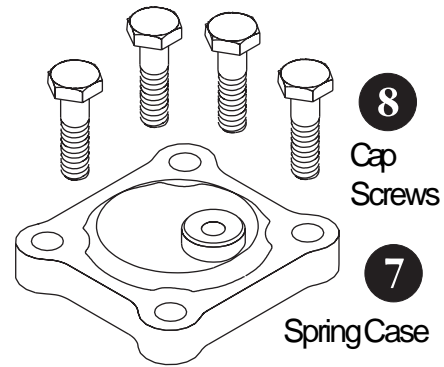
# PARTS LIST - 1" FLOWGRID 250 VALVES

Includes: 1", 1 1/4" & 1 1/2" NPT

Ductile Iron/Aluminum Construction Maximum Inlet Pressure 250 PSI

**1"**  
FLOWGRID  
250

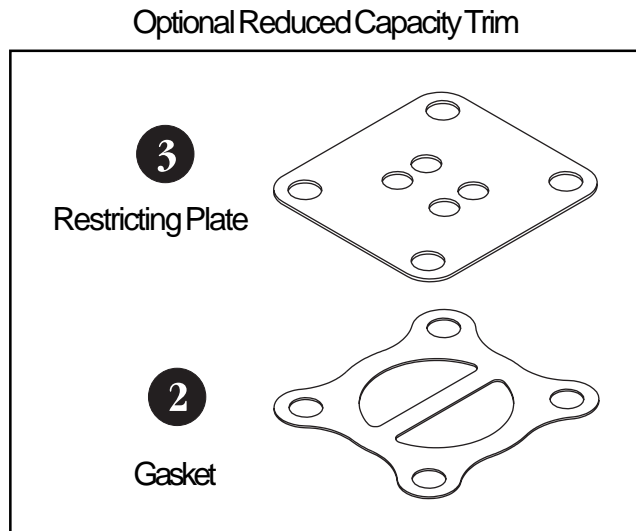
Item	Description	Material	Part Number	Quantity
1	Body - Single Port	A 395 Ductile Iron		1
	1" NPT End Connection (FG-24) <sup>†</sup>		120-002-01	
	1 1/4" NPT End Connection (FG-25) <sup>†</sup>		120-014-01	
	1 1/2" NPT End Connection (FG-26) <sup>†</sup>		120-015-01	
2	Gasket**	Nitrile	120-008-01	1 or 2**
3	Restricting Plate**	Steel (Zinc Plated)		
	75% Capacity		120-009-01	
	50% Capacity		120-012-01	
	25% Capacity		120-013-01	
4	Throttle Plate - 100% Capacity	356 - T6 Hard Anodized Aluminum	120-004-01	1
5	Diaphragm			
	75 Durometer	Nitrile / Nylon	101-056-01	1
	60 Durometer	Nitrile / Nylon	101-056-02	
	Viton	Viton / Nylon	101-056-05	
6	Main Spring	301 Stainless Steel		1
	Standard		101-057-01	
	Low Differential		101-074-01	
7	Spring Case	356 - T6 Alodined	120-006-01	1
8	Cap Screw (1/2UNC x 2.25 Lg)	SAE Grade 5	030-002-01	4



**Boxed items indicate recommended spare parts**

<sup>†</sup> (FG-\*) Indicates stock number for the Flowgrid Valve Assembly associated with each body

\*\*Reduced capacity: An extra gasket (item 2) and restricting plate (item 3) are required for reduced capacity trim.



# PARTS LIST - 2" Standard Single Port Valves

Includes: 2" NPT/SWE, 2" RF Flanged CL 150-600,  
2" Flangeless CL 150-600 & 2" Butt weld CL 600

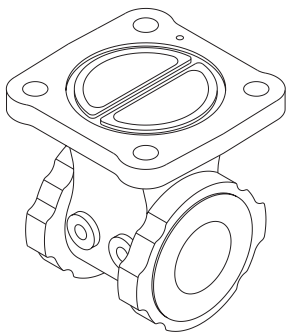
# 2"

STD Single Port

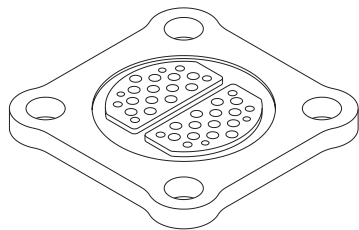
Item	Description	Material	Part Number	Quantity
1	Body - Standard Single Port	Carbon Steel		1
	2" NPT End Connection (FG-1) <sup>†</sup>	(A216 Gr. WCB)	102-002-01	
	2" SWE Connection (FG-2) <sup>†</sup>		102-020-01	
	2" CL 150 RF Flanged (FG-3) <sup>†</sup>		102-008-01	
	2" CL 300 RF Flanged (FG-4) <sup>†</sup>		102-006-01	
	2" CL 600 RF Flanged (FG-5) <sup>†</sup>		102-004-01	
	2" Butt weld End Connection (FG-76) <sup>†</sup>		102-054-01	
1a	2" CL 150/300/600 Flangeless (FG-15) <sup>†</sup>		102-031-01	
2	Roll Pin (3/16 x 1/2)	Steel	035-001-01	1
3	Body Seal (O-Ring)			1
	Nitrile	Nitrile	102-016-01	
	Viton	Viton	102-016-02	
4	Throttle Plate			1
	100% Capacity Flowgrid	17-4PHSST	102-028-01	
	75% Capacity Flowgrid	17-4PHSST	102-036-01	
	50% Capacity Flowgrid	17-4PHSST	102-033-01	
	35% Capacity Flowgrid	17-4PHSST	102-038-01	
4a	100% Capacity Drilled Hole	A515 w/ENC Coating	102-060-01	
	75% Capacity Drilled Hole	A515 w/ENC Coating	102-061-01	
	50% Capacity Drilled Hole	A515 w/ENC Coating	102-062-01	
	35% Capacity Drilled Hole	A515 w/ENC Coating	102-063-01	
5	Spacer O-Ring			1
	Nitrile	Nitrile	021-244-01	
	Viton	Viton	021-244-02	
6	Spacer	Carbon Steel	102-011-01	1
7	Diaphragm			1
	75 Durometer	Nitrile / Nylon	102-013-01	
	60 Durometer	Nitrile / Nylon	102-013-02	
	80 Durometer Hi-ACN	Nitrile / Nylon	102-013-03	
	80 Durometer Lo-ACN	Nitrile / Nylon	102-013-04	
	Viton	Viton / Nylon	102-013-05	
8	Main Spring	301 Stainless Steel		1
	Standard		102-014-01	
	Low Differential		102-034-01	
9	Spring Case with Diaphragm Guide	Carbon Steel	102-010-01	1
	(A216 Gr. WCB)			
10	Cap Screw (3/4UNC x 3.00 Lg)	SAE Grade 8	030-003-01	4

**Boxed items indicate recommended spare parts**

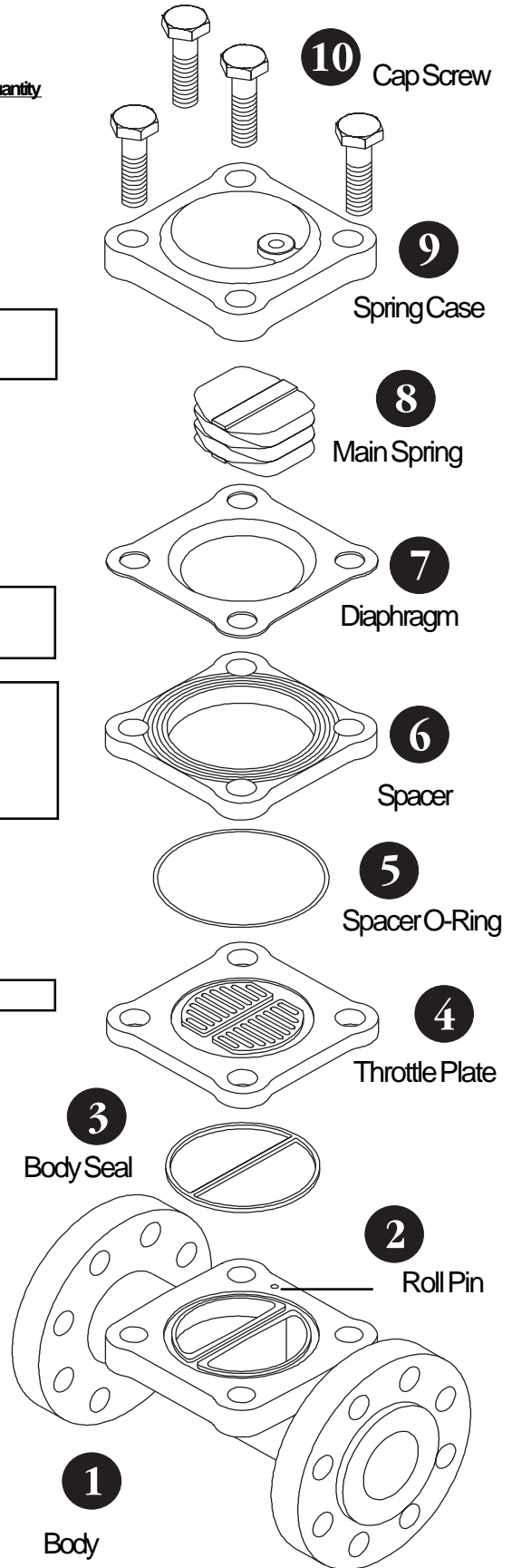
<sup>†</sup> (FG-\*) Indicates stock number for the Flowgrid Valve Assembly associated with each body



**1a** Flangeless Body



**4a** Drilled Hole Throttle Plate



# PARTS LIST - 2" Standard Dual Port Valves

# 2"

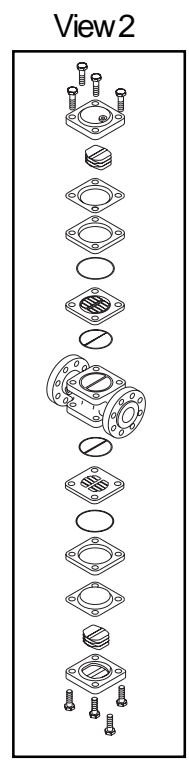
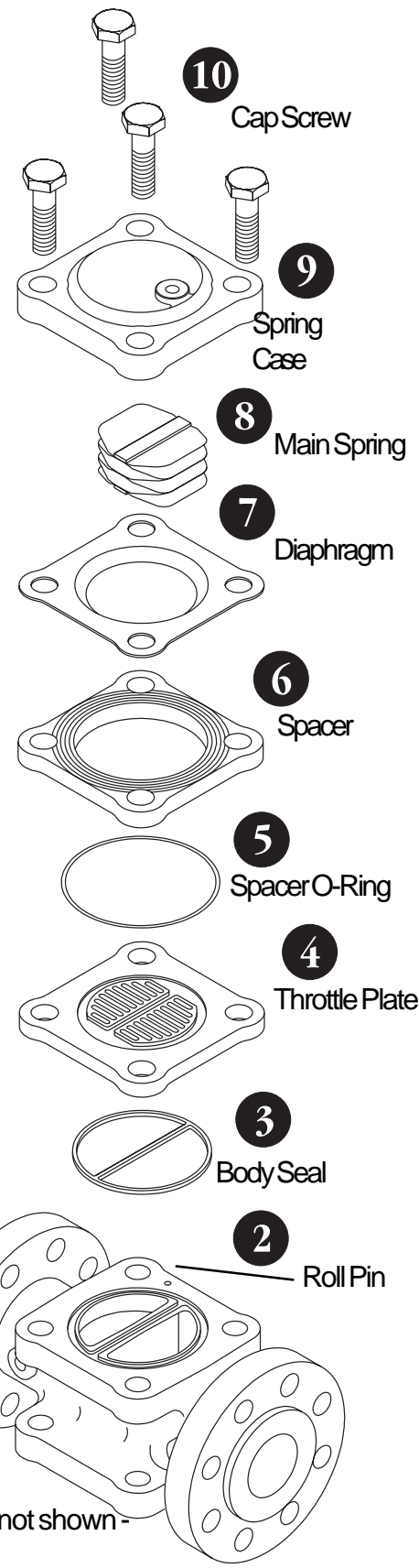
## STD Dual Port

### Includes: 2" RF Flanged CL 150 - 600

Item	Description	Material	PartNumber	Quantity
1	Body - Dual Port	Carbon Steel		1
	2" CL 150 RF Flanged (FG-8) <sup>†</sup>	(A216 Gr. WCB)	102-009-01	
	2" CL 300 RF Flanged (FG-9) <sup>†</sup>		102-007-01	
	2" CL 600 RF Flanged (FG-10) <sup>†</sup>		102-005-01	
2	Roll Pin (3/16 x 1/2)	Steel	035-001-01	2
3	Body Seal			2
	Nitrile	Nitrile	102-016-01	
	Viton	Viton	102-016-02	
4	Throttle Plate			
	100% Capacity Flowgrid	17-4PHSST	102-028-01	
	75% Capacity Flowgrid	17-4PHSST	102-036-01	
	50% Capacity Flowgrid	17-4PHSST	102-033-01	
	35% Capacity Flowgrid	17-4PHSST	102-038-01	
4a	100% Capacity Drilled Hole	A 515 w/ENC Coating	102-060-01	
	75% Capacity Drilled Hole	A 515 w/ENC Coating	102-061-01	
	50% Capacity Drilled Hole	A 515 w/ENC Coating	102-062-01	
	35% Capacity Drilled Hole	A 515 w/ENC Coating	102-063-01	
5	Spacer O-Ring			2
	Nitrile	Nitrile	021-244-01	
	Viton	Viton	021-244-02	
6	Spacer	Carbon Steel	102-011-01	2
7	Diaphragm			2
	75 Durometer	Nitrile / Nylon	102-013-01	
	60 Durometer	Nitrile / Nylon	102-013-02	
	80 Durometer Hi-ACN	Nitrile / Nylon	102-013-03	
	80 Durometer Lo-ACN	Nitrile / Nylon	102-013-04	
	Viton	Viton / Nylon	102-013-05	
8	Main Spring	301 Stainless Steel		2
	Standard		102-014-01	
	Low Differential		102-034-01	
9	Spring Case with Diaphragm Guide	Carbon Steel	102-010-01	2
		(A216 Gr. WCB)		
10	Cap Screw (3/4-10 UNC x 3.00 Lg)	SAE Grade 8	030-003-01	8

**Boxed items indicate recommended spare parts**

<sup>†</sup> (FG-\*) Indicates stock number for the Flowgrid Valve Assembly associated with each body



# PARTS LIST - 2" Large Dual Port Valves

# 2"

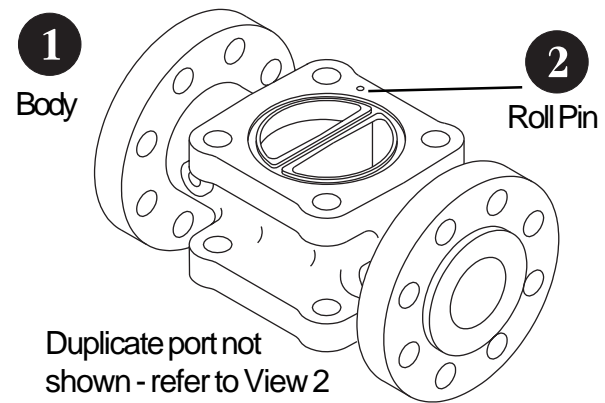
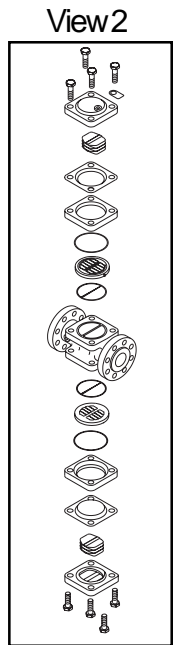
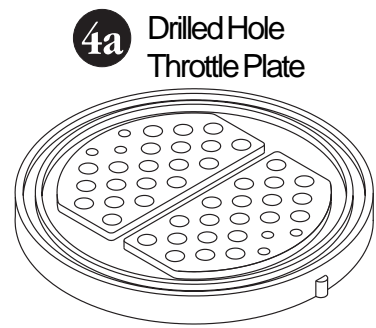
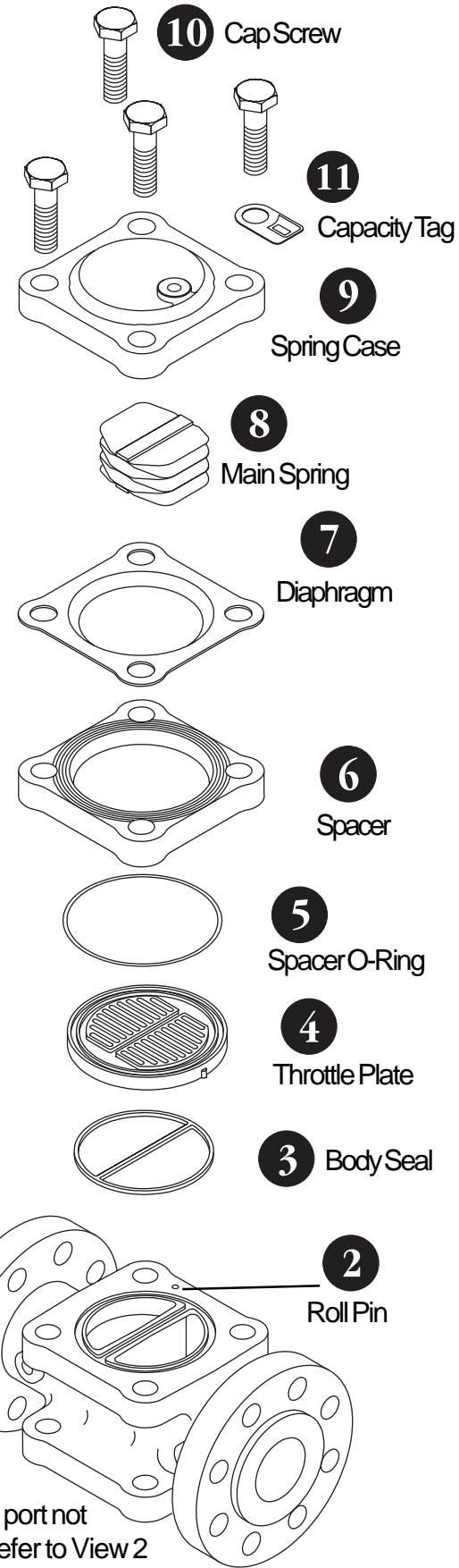
## Large Dual Port

Includes: 2" RF Flanged CL 150 - 600

Item	Description	Material	PartNumber	Quantity
1	Body - Dual Port 2" CL 150 RF Flanged (FG-32) <sup>†</sup> 2" CL 300 RF Flanged (FG-33) <sup>†</sup> 2" CL 600 RF Flanged (FG-34) <sup>†</sup>	Carbon Steel (A216 Gr. WCB)	102-009-01 102-007-01 102-005-01	1
2	Roll Pin (3/16 x 1/2)	Steel	035-001-01	2
3	Body Seal Nitrile Viton	Nitrile Viton	102-016-01 102-016-02	2
4	Throttle Plate 100% Capacity Flowgrid 75% Capacity Flowgrid 50% Capacity Flowgrid 35% Capacity Flowgrid	17-4PHSST 17-4PHSST 17-4PHSST 17-4PHSST	102-041-01 102-055-01 102-056-01 102-057-01	2
4a	100% Capacity Drilled Hole 75% Capacity Drilled Hole 50% Capacity Drilled Hole 35% Capacity Drilled Hole	A 515 w/ ENC Coating A 515 w/ ENC Coating A 515 w/ ENC Coating A 515 w/ ENC Coating	102-065-01 102-066-01 102-067-01 102-068-01	
5	Spacer O-Ring	Nitrile Viton	021-244-01 021-244-02	2
6	Spacer	Carbon Steel	102-042-01	2
7	Diaphragm 75 Durometer 60 Durometer 80 Durometer Hi-ACN 80 Durometer Lo-ACN Viton	Nitrile / Nylon Nitrile / Nylon Nitrile / Nylon Nitrile / Nylon Viton / Nylon	102-053-01 102-053-02 102-053-03 102-053-04 102-053-05	2
8	Main Spring Standard Low Differential	301 Stainless Steel	102-014-01 102-034-01	2
9	Spring Case with Diaphragm Guide	Carbon Steel (A216 Gr. WCB)	102-043-01	2
10	Cap Screw (3/4-10 UNC x 3.00 Lg)	SAE Grade 8	030-003-01	8
11	Capacity Tag	Brass	100-014-01	1

**Boxed items indicate recommended spare parts**

<sup>†</sup> (FG-\*) Indicates stock number for the Flowgrid Valve Assembly associated with each body



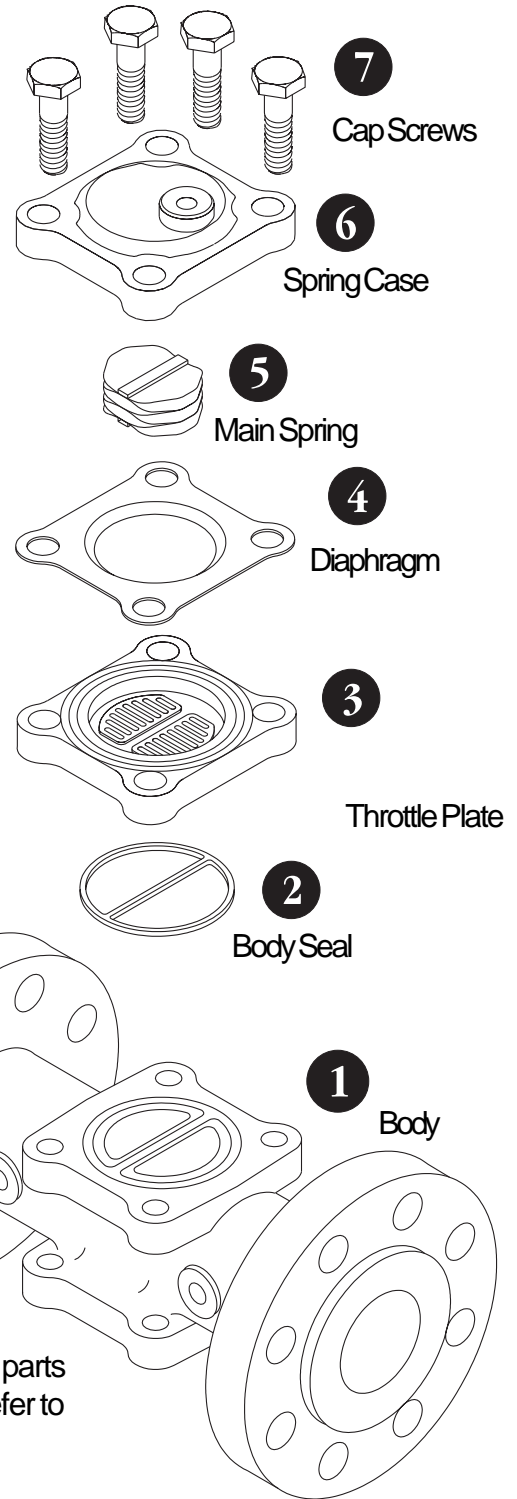
# PARTS LIST - 2" x 1" Dual Port Valves

2" x 1"

Dual Port

Includes: 2" x 1" RF Flanged CL 150 - 600

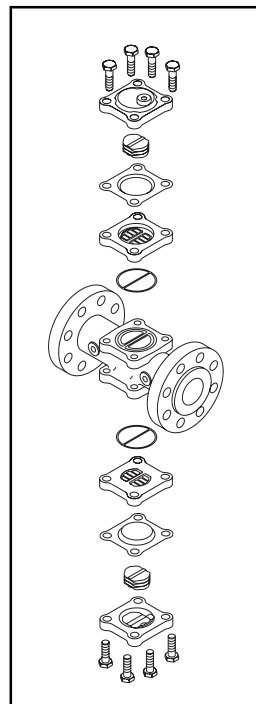
Item	Description	Material	Part Number	Quantity
1	Body - Dual Port 2" x 1" CL 150 RF Flanged (FG-69) <sup>†</sup> 2" x 1" CL 300 RF Flanged (FG-70) <sup>†</sup> 2" x 1" CL 600 RF Flanged (FG-71) <sup>†</sup>	Carbon Steel (A216 Gr. WCB)	102-096-01 102-097-01 102-098-01	1
2	Body Seal Nitrile Viton	Nitrile Viton	101-059-01 101-059-02	2
3	Throttle Plate 100% Capacity Flowgrid 75% Capacity Flowgrid 50% Capacity Flowgrid 35% Capacity Flowgrid	17-4PHSST	101-055-01 101-083-01 101-063-01 101-061-01	2
3a	100% Capacity Drilled Hole 75% Capacity Drilled Hole 50% Capacity Drilled Hole 35% Capacity Drilled Hole	A515 w/ENC Coating A515 w/ENC Coating A515 w/ENC Coating A515 w/ENC Coating	101-084-01 101-085-01 101-086-01 101-087-01	
4	Diaphragm 75 Durometer 60 Durometer 80 Durometer Hi-ACN 80 Durometer Lo-ACN Viton	Nitrile/Nylon Nitrile/Nylon Nitrile/Nylon Nitrile/Nylon Viton/Nylon	101-056-01 101-056-02 101-056-03 101-056-04 101-056-05	2
5	Main Spring Standard Low Differential	301 Stainless Steel	101-057-01 101-074-01	2
6	Spring Case with Diaphragm Guide	Carbon Steel (A216 Gr. WCB)	101-058-01	2
7	Cap Screw (9/16UNC x 2.25 Lg)	SAE Grade 8	030-007-01	8



**Boxed items indicate recommended spare parts**

<sup>†</sup> (FG-\*) Indicates stock number for the Flowgrid Valve Assembly associated with each body

View 2



Duplicate port parts not shown - refer to view 2

# PARTS LIST - 3" Single Port Valves

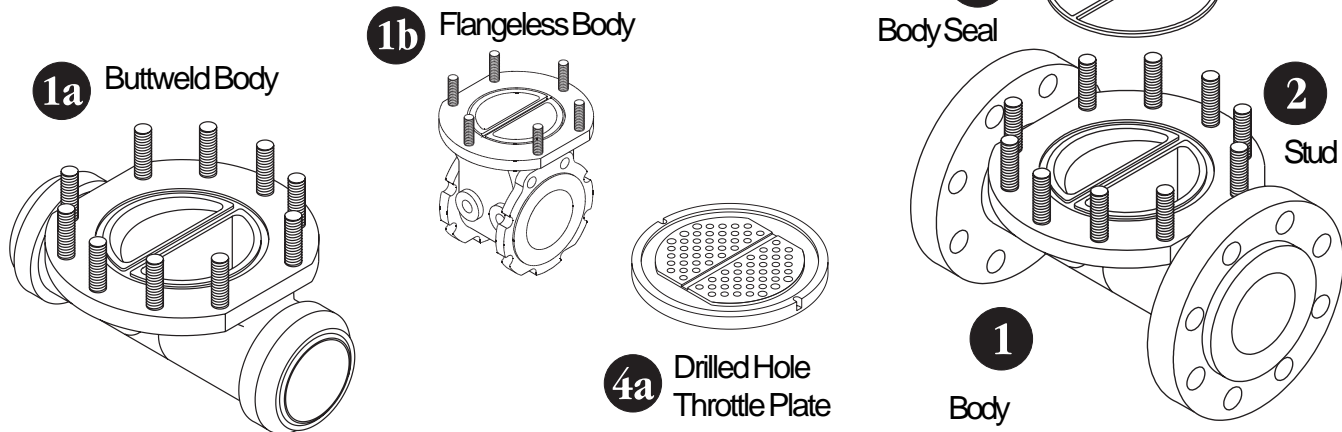
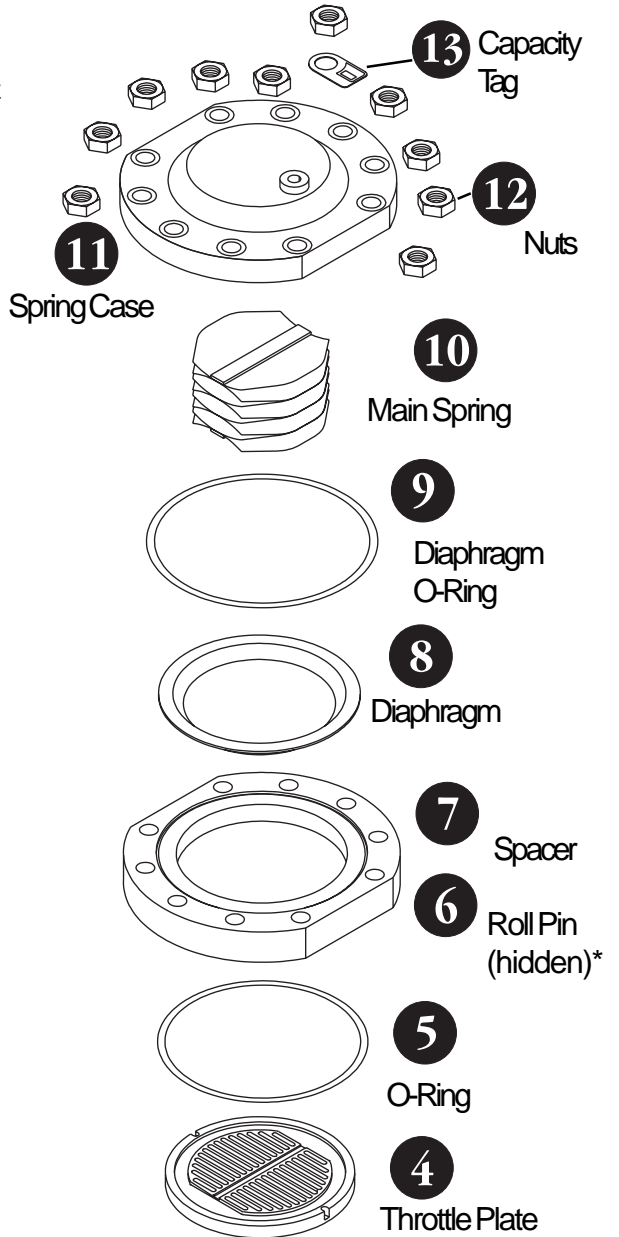
Includes: 3" RF Flanged CL 150 - 600 Butt weld CL 150/300, 600 & 4" x 3" Flangeless CL 150 - 300

**3"**  
Single  
Port

Item	Description	Material	Part Number	Quantity
1	Body - Single Port	Carbon Steel (A216 Gr. WCB)	103-108-01	1
	3" CL 150 RF Flanged (FG-16)		103-109-01	
	3" CL 300 RF Flanged (FG-17)		103-101-01	
	3" CL 600 RF Flanged (FG-18)		103-127-01	
1a	3" CL 150/300 Butt weld (FG-61)		103-133-01	
	3" CL 600 Butt weld (FG-62)		104-161-01	
1b	4" x 3" CL 150 RF Flangeless (FG-19)		104-162-01	
	4" x 3" CL 300 RF Flangeless (FG-20)			
2	Stud (5/8UNC)	ANSI B-7	031-014-01	6
	150 / 300 Class 5/8-11 UNC x 3.75		031-014-01	10
	600 Class 5/8-11 UNC x 3.75			
3	Body Seal	Nitrile	103-112-01	1
4	Throttle Plate			1
	100% Capacity Flowgrid	17-4PHSST	103-102-01	
	75% Capacity Flowgrid	17-4PHSST	103-119-01	
	50% Capacity Flowgrid	17-4PHSST	103-110-01	
	35% Capacity Flowgrid	17-4PHSST	103-121-01	
4a	100% Capacity Drilled Hole	A515 w/ENC Coating	103-129-01	
	75% Capacity Drilled Hole	A515 w/ENC Coating	103-130-01	
	50% Capacity Drilled Hole	A515 w/ENC Coating	103-131-01	
	35% Capacity Drilled Hole	A515 w/ENC Coating	103-132-01	
5	Spacer O-Ring	Nitrile	021-364-01	1
6	Roll Pin (3/16 x 1/2)	Steel	035-001-01	2
7	Spacer	Carbon Steel	103-106-01	1
	150 / 300 Class		103-107-01	
	600 Class			
8	Diaphragm			1
	75 Durometer	Nitrile / Nylon	103-105-01	
	60 Durometer	Nitrile / Nylon	103-105-02	
	80 Durometer Hi-ACN	Nitrile / Nylon	103-105-03	
	80 Durometer Lo-ACN	Nitrile / Nylon	103-105-04	
9	Diaphragm O-Ring	Nitrile	021-262-01	1
10	Main Spring	301 Stainless Steel		1
	Standard		103-111-01	
	Low Differential		103-117-01	
11	Spring Case with Diaphragm Guide	Carbon Steel (A216 Gr. WCB)	103-103-01	1
	150 / 300 Class		103-104-01	
	600 Class			
12	Nut (5/8UNC)	ANSI 2H		
	150 / 300 Class		032-003-01	6
	600 Class		032-003-01	10
13	Capacity Tag	Brass	100-013-01	1

**Boxed items indicate recommended spare parts**

† (FG-\*) Indicates stock number for the Flowgrid Valve Assembly associated with each body  
\*Roll Pins (not shown in this view) mounted on the spacer ensure the proper alignment of the throttle plate



# PARTS LIST - 4" Single Port Valves

Includes: 4" RF Flanged CL 150 - 600, 4" Butt weld CL 150/300 & CL 600,  
6" x 4" Flangeless CL 150 - 300

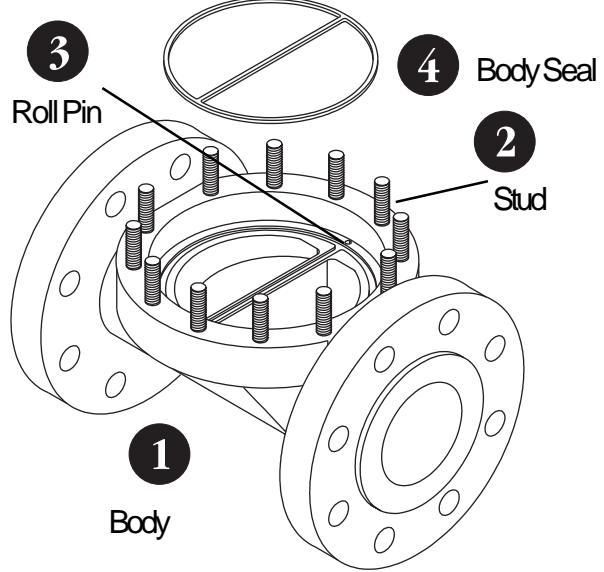
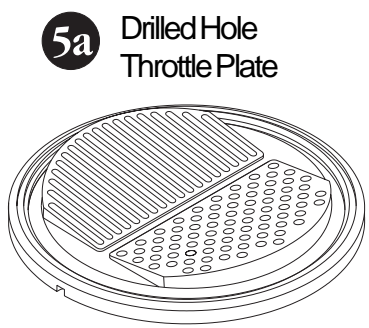
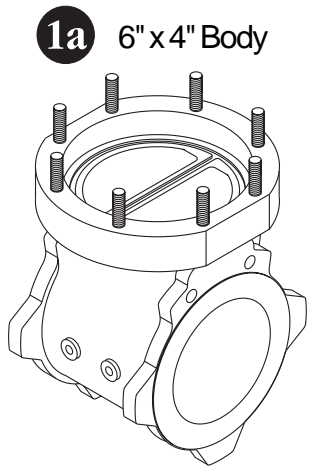
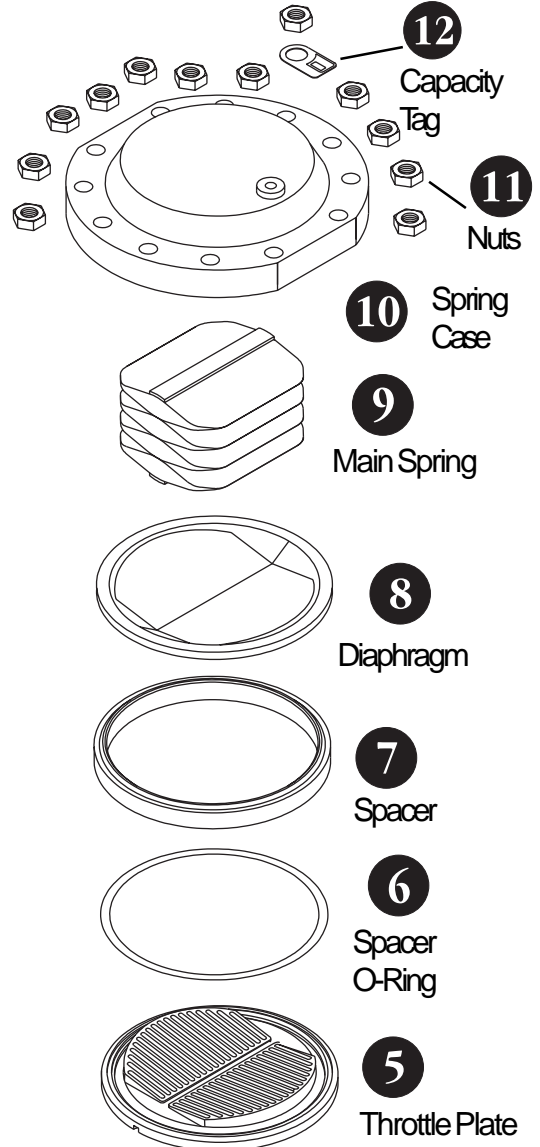
# 4"

Single Port

Item	Description	Material	Part Number	Quantity
1	Body - Single Port	Carbon Steel		1
	4" CL 150 RF Flanged (FG-39) <sup>†</sup>	(A216 Gr. WCB)	104-003-01	
	4" CL 300 RF Flanged (FG-40) <sup>†</sup>		104-005-01	
	4" CL 600 RF Flanged (FG-41) <sup>†</sup>		104-004-01	
	4" CL 150/300 Butt weld End (FG-63) <sup>†</sup>		104-029-01	
	4" CL 600 Butt weld End (FG-64) <sup>†</sup>		104-024-01	
1a	6" x 4" CL 150 Flangeless (FG-42) <sup>†</sup>		106-020-01	
	6" x 4" CL 300 Flangeless (FG-43) <sup>†</sup>		106-021-01	
2	Stud (5/8 UNC)	ANSI B-7		
	150 / 300 Class 5/8-11 UNC x 2.50		031-001-01	8
	600 Class 5/8-11 UNC x 7.75		031-001-01	12
3	Roll Pin (3/16 x 1/2)	Steel	035-001-01	2
4	Body Seal	Nitrile	104-016-01	1
5	Throttle Plate			1
	100% Capacity Flowgrid	17-4PHSST	104-012-01	
	75% Capacity Flowgrid	17-4PHSST	104-022-01	
	50% Capacity Flowgrid	17-4PHSST	104-018-01	
	35% Capacity Flowgrid	17-4PHSST	104-023-01	
5a	100% Capacity Drilled Hole	17-4PHSST	104-009-01	
	75% Capacity Drilled Hole	17-4PHSST	104-033-01	
	50% Capacity Drilled Hole	17-4PHSST	104-031-01	
	35% Capacity Drilled Hole	17-4PHSST	104-034-01	
6	Spacer O-Ring	Nitrile	021-265-01	1
7	Spacer	Carbon Steel	104-011-01	1
8	Diaphragm			1
	75 Durometer	Nitrile / Nylon	104-013-01	
	60 Durometer	Nitrile / Nylon	104-013-02	
	80 Durometer Hi-ACN	Nitrile / Nylon	104-013-04	
	80 Durometer Lo-ACN	Nitrile / Nylon	104-013-03	
9	Main Spring			1
	Standard	301 Stainless Steel	104-014-01	
	Low Differential	301 Stainless Steel	104-019-01	
10	Spring Case	Carbon Steel		1
	150 / 300 Class	(A216 Gr. WCB)	104-010-01	
	600 Class		104-015-01	
11	Nut (5/8 UNC)	ANSI 2H		
	150 / 300 Class		032-003-01	8
	600 Class		032-003-01	12
12	Capacity Tag	Brass	100-013-01	1

**Boxed items indicate recommended spare parts**

<sup>†</sup> (FG-\*) Indicates stock number for the Flowgrid Valve Assembly associated with each body





# PARTS LIST - 4" x 3" Dual Port Valve

4" x 3"  
Dual  
Port

Includes: 4" x 3" Dual Port RF Flanged CL 150 - 600

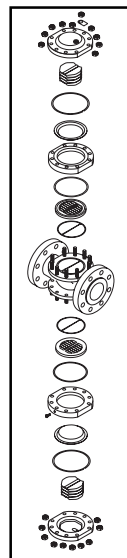
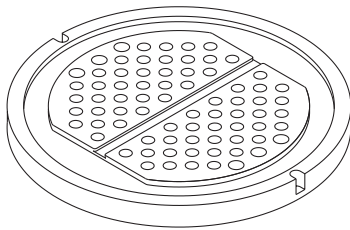
Item	Description	Material	Part Number	Quantity
1	Body - Dual Port 4" CL 150 RF Flanged (FG-21) <sup>†</sup> 4" CL 300 RF Flanged (FG-22) <sup>†</sup> 4" CL 600 RF Flanged (FG-23) <sup>†</sup>	Carbon Steel (A216 Gr. WCB)	104-151-01 104-152-01 104-153-01	1
2	Stud (5/8UNC) 150 / 300 Class 5/8-11 UNC x 3.75 600 Class 5/8-11 UNC x 3.75	ANSI B-7	031-014-01 031-014-01	12 20
3	Body Seal	Nitrile	103-112-01	2
4	Throttle Plate 100% Capacity Flowgrid 75% Capacity Flowgrid 50% Capacity Flowgrid 35% Capacity Flowgrid	17-4PHSST 17-4PHSST 17-4PHSST 17-4PHSST	103-102-01 103-119-01 103-110-01 103-121-01	2
4a	100% Capacity Drilled Hole 75% Capacity Drilled Hole 50% Capacity Drilled Hole 35% Capacity Drilled Hole	A 515 w/ ENC Coating A 515 w/ ENC Coating A 515 w/ ENC Coating A 515 w/ ENC Coating	103-129-01 103-130-01 103-131-01 103-132-01	
5	Spacer/Body O-Ring	Nitrile	021-364-01	2
6	Roll Pin (3/16 x 1/2)	Steel	035-001-01	4
7	Spacer 150 / 300 Class 600 Class	Carbon Steel	103-106-01 103-107-01	2
8	Diaphragm 75 Durometer 60 Durometer 80 Durometer Hi-ACN 80 Durometer Lo-ACN	Nitrile / Nylon Nitrile / Nylon Nitrile / Nylon Nitrile / Nylon	103-105-01 103-105-02 103-105-03 103-105-04	2
9	Diaphragm O-Ring	Nitrile	021-262-01	2
10	Main Spring Standard Low Differential	301 Stainless Steel	103-111-01 103-117-01	2
11	Spring Case with Diaphragm Guide 150 / 300 Class 600 Class	Carbon Steel (A216 Gr. WCB)	103-103-01 103-104-01	2
12	Nut (5/8UNC) 150 / 300 Class 600 Class	ANSI 2H	032-003-01 032-003-01	12 20
13	Capacity Tag	Brass	100-013-01	1

**Boxed items indicate recommended spare parts**

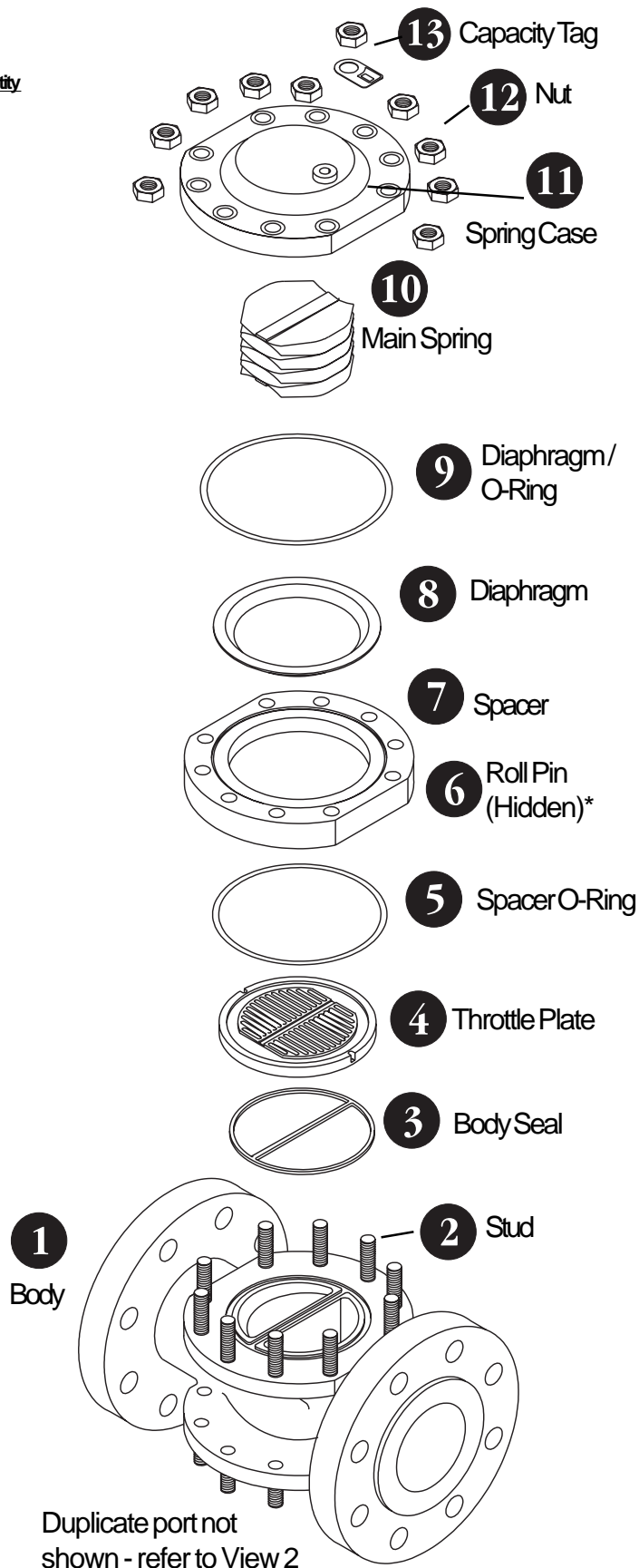
<sup>†</sup> (FG-\*) Indicates stock number for the Flowgrid Valve Assembly associated with each body

\*Roll Pins (not shown in this view) mounted on the spacer ensure the proper alignment of the throttle plate

**4a** Drilled Hole Throttle Plate



View 2



# PARTS LIST - 6" Single Port Valves

6"

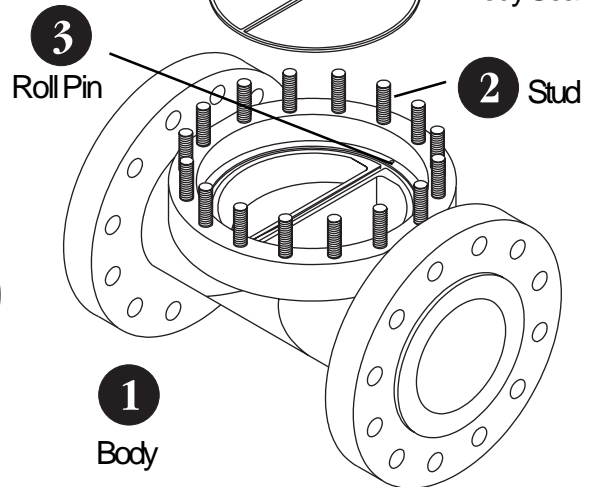
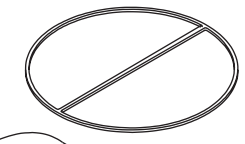
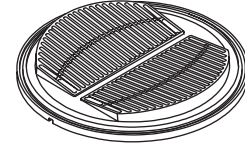
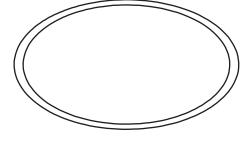
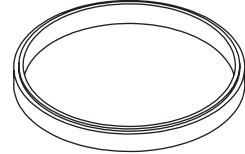
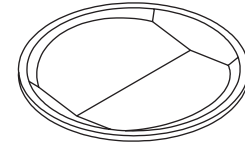
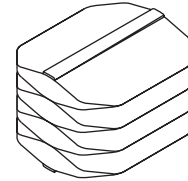
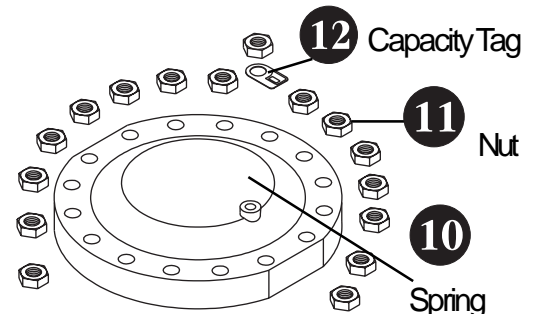
Single Port

Includes: 6" RF Flanged CL 150 - 600 & Buttwelded CL 150 / 300 & 600

Item	Description	Material	Part Number	Quantity
1	Body - Single Port	Carbon Steel		1
	6" CL 150 RF Flanged (FG-44) <sup>†</sup>	(A216 Gr. WCB)	106-002-01	
	6" CL 300 RF Flanged (FG-45) <sup>†</sup>		106-011-01	
	6" CL 600 RF Flanged (FG-46) <sup>†</sup>		106-003-01	
1a	6" CL 150/300 Buttweld (FG-65) <sup>†</sup>		106-027-01	
	6" CL 600 Buttweld (FG-66) <sup>†</sup>		106-024-01	
2	Stud	ANSI B-7		
	150 / 300 Class 5/8-11 UNC x 2.75		031-005-01	12
	600 Class 3/4-10 UNC x 3.50		031-006-01	16
3	Roll Pin (3/16 x 1/2)	Steel	035-001-01	2
4	Body Seal	Nitrile	106-007-01	1
5	Throttle Plate			1
	100% Capacity Flowgrid	17-4PHSST	106-004-01	
	75% Capacity Flowgrid	17-4PHSST	106-022-01	
	50% Capacity Flowgrid	17-4PHSST	106-012-01	
	35% Capacity Flowgrid	17-4PHSST	106-023-01	
5a	100% Capacity Drilled Hole	17-4PHSST	106-026-01	
	75% Capacity Drilled Hole	17-4PHSST	106-030-01	
	50% Capacity Drilled Hole	17-4PHSST	106-033-01	
	35% Capacity Drilled Hole	17-4PHSST	106-032-01	
6	Spacer O-Ring	Nitrile	021-275-01	1
7	Spacer	Carbon Steel	106-008-01	1
8	Diaphragm			1
	75 Durometer	Nitrile / Nylon	106-005-01	
	60 Durometer	Nitrile / Nylon	106-005-02	
	80 Durometer Hi-ACN	Nitrile / Nylon	106-005-04	
	80 Durometer Lo-ACN	Nitrile / Nylon	106-005-03	
9	Main Spring			1
	Standard	301 Stainless Steel	106-006-01	
	Low Differential	301 Stainless Steel	106-013-01	
10	Spring Case	Carbon Steel		1
	150 / 300 Class	(A216 Gr. WCB)	106-009-01	
	600 Class		106-010-01	
11	Nut	ANSI 2H		
	150 / 300 Class (5/8 UNC)		032-003-01	12
	600 Class (3/4 UNC)		032-004-01	16
12	Capacity Tag	Brass		1
	150 / 300 Class (5/8)		100-013-01	
	600 Class (3/4)		100-014-01	

**Boxed items indicate recommended spare parts**

<sup>†</sup> (FG-\*) Indicates stock number for the Flowgrid Valve Assembly associated with each body



# PARTS LIST - 8" Single Port Valves

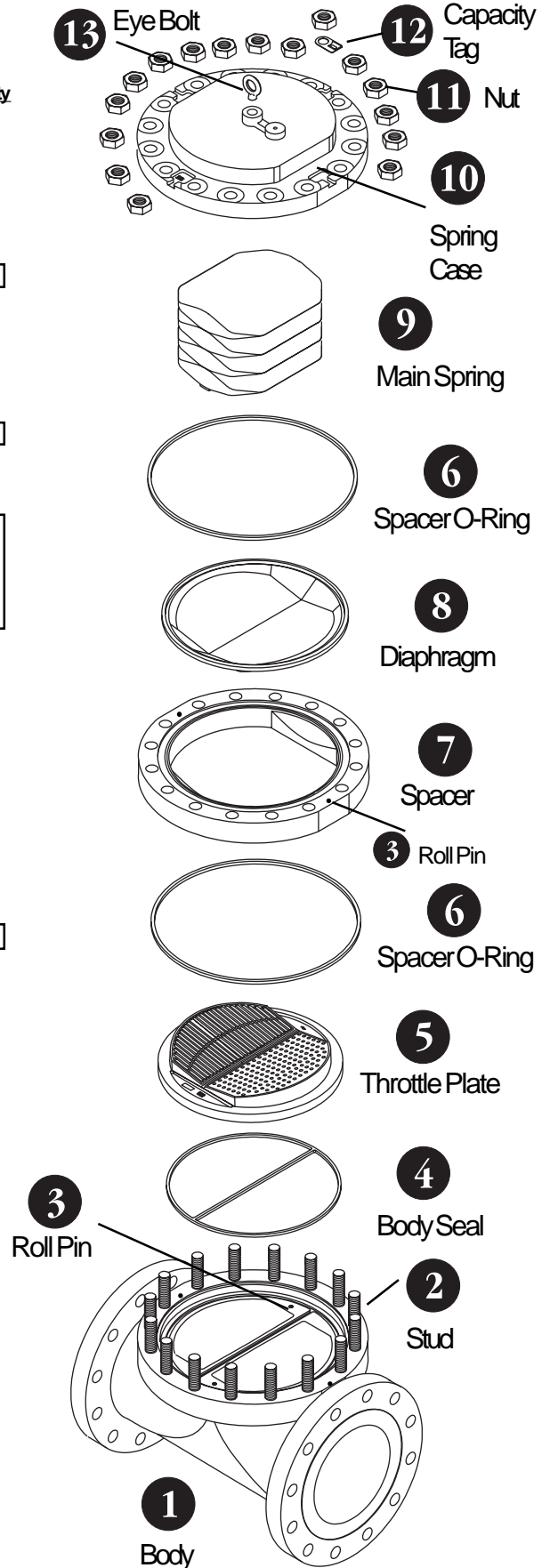
**8"**  
Single  
Port

Includes: 8" RF Flanged CL 150 - 600

Item	Description	Material	Part Number	Quantity
1	Body - Single Port 8" CL 150 RF Flanged (FG-72) <sup>†</sup> 8" CL 300 RF Flanged (FG-73) <sup>†</sup> 8" CL 600 RF Flanged (FG-80) <sup>†</sup>	Carbon Steel (A216 Gr. WCB)	108-005-01 108-004-01 108-003-01	1
2	Stud 150 / 300 Class (3/4-10 UNC x 5.50) 600 Class (7/8-9 UNC x 6)	ANSI B-7	031-017-01 031-018-01	16 24
3	Roll Pin (1/4 x 1/2)	Steel	035-006-01	6
4	Body Seal	Nitrile	108-016-01	1
5	Throttle Plate 100% Capacity Drilled Hole 75% Capacity Drilled Hole 50% Capacity Drilled Hole 35% Capacity Drilled Hole	17-4PHSST	108-012-01 108-013-01 108-014-01 108-015-01	1
6	Spacer O-Ring	Nitrile	021-383-01	2
7	Spacer 150/300 Class 600 Class	Carbon Steel (A216 Gr. WCB)	108-011-01 108-010-01	1
8	Diaphragm 75 Durometer 60 Durometer 80 Durometer Hi-ACN 80 Durometer Lo-ACN	Nitrile / Nylon Nitrile / Nylon Nitrile / Nylon Nitrile / Nylon	108-002-01 108-002-02 108-002-03 108-002-04	1
9	Main Spring	301 Stainless Steel	108-009-01	1
10	Spring Case 150 / 300 Class 600 Class	Carbon Steel (A216 Gr. WCB)	108-008-01 108-007-01	1
11	Nut 150 / 300 Class (3/4 UNC) 600 Class (7/8 UNC)	ANSI 2H	032-004-01 032-005-01	16 24
12	Capacity Tag 150 / 300 Class (3/4) 600 Class (5/8)	Brass	100-014-01 100-013-01	1
13	Eyebolt (5/8)	Steel	033-004-01	1

**Boxed items indicate recommended spare parts**

<sup>†</sup> (FG-\*) Indicates stock number for the Flowgrid Valve Assembly associated with each body



# PARTS LIST - 10" V-6" Dual Port Valves

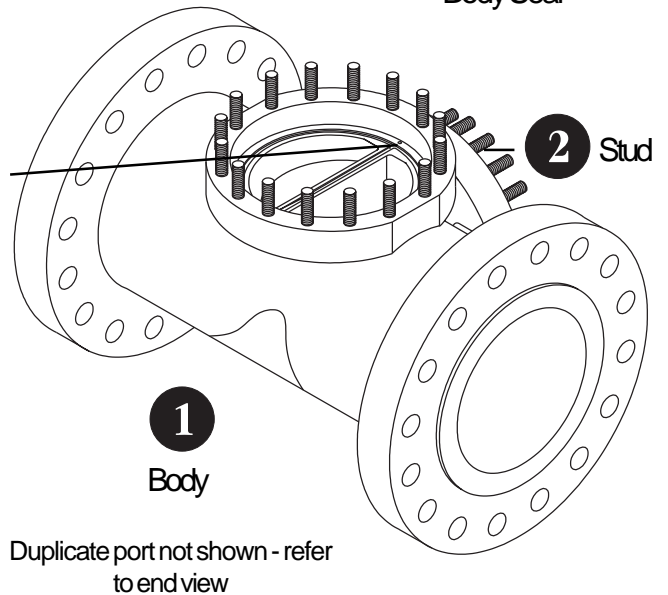
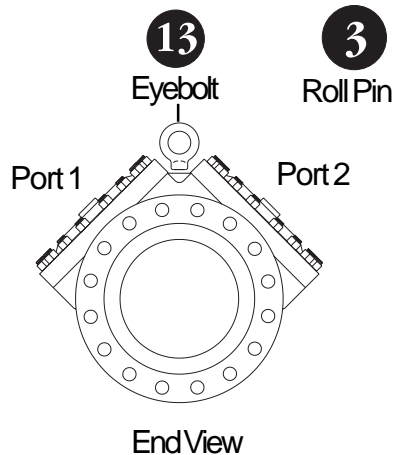
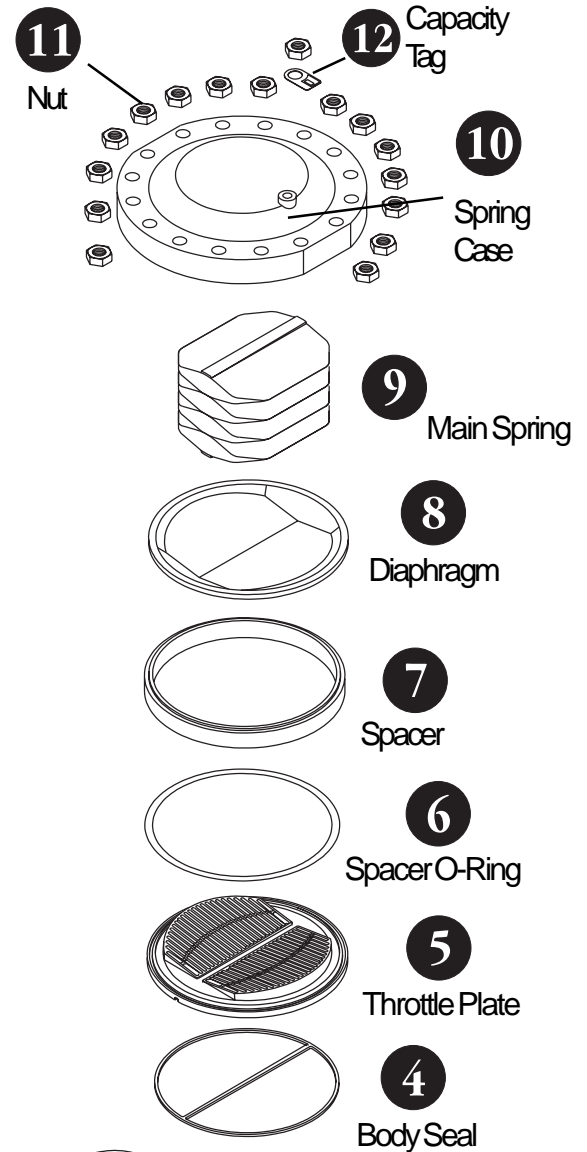
10" V-6  
Dual  
Port

Includes: 10" V-6" Dual Port Flanged CL 150 - 600

Item	Description	Material	PartNumber	Quantity
1	Body - Single Port 10" CL 150 RF Flanged (FG-57) <sup>†</sup> 10" CL 300 RF Flanged (FG-58) <sup>†</sup> 10" CL 600 RF Flanged (FG-59) <sup>†</sup>	Carbon Steel (A216 Gr. WCB)	110-001-01 110-002-01 110-003-01	1
2	Stud 150 / 300 Class (5/8-11 UNC x 2.75) 600 Class (3/4-10 UNC x 3.50)	ANSI B-7	031-005-01 031-006-01	24 32
3	Roll Pin (3/16 x 1/2)	Steel	035-001-01	4
4	Body Seal	Nitrile	106-007-01	2
5	Throttle Plate			2
	100% Capacity Flowgrid	17-4PHSST	106-004-01	
	75% Capacity Flowgrid	17-4PHSST	106-022-01	
	50% Capacity Flowgrid	17-4PHSST	106-012-01	
	35% Capacity Flowgrid	17-4PHSST	106-023-01	
5a	100% Capacity Drilled Hole	17-4PHSST	106-026-01	
	75% Capacity Drilled Hole	17-4PHSST	106-030-01	
	50% Capacity Drilled Hole	17-4PHSST	106-033-01	
	35% Capacity Drilled Hole	17-4PHSST	106-032-01	
6	Spacer O-Ring	Nitrile	021-275-01	2
7	Spacer	Carbon Steel	106-008-01	2
8	Diaphragm			2
	75 Durometer	Nitrile / Nylon	106-005-01	
	60 Durometer	Nitrile / Nylon	106-005-02	
	80 Durometer Hi-ACN	Nitrile / Nylon	106-005-04	
	80 Durometer Lo-ACN	Nitrile / Nylon	106-005-03	
9	Main Spring			2
	Standard	301 Stainless Steel	106-006-01	
	Low Differential	301 Stainless Steel	106-013-01	
10	Spring Case	Carbon Steel (A216 Gr. WCB)	106-009-01 106-010-01	2
11	Nut	ANSI 2H		
	150 / 300 Class (5/8 UNC)		032-003-01	24
	600 Class (3/4 UNC)		032-004-01	32
12	Capacity Tag	Brass		1
	150 / 300 Class (5/8)		100-013-01	
	600 Class (3/4)		100-014-01	
13	Eyebolt (3/4)	Steel	033-002-01	1

**Boxed items indicate recommended spare parts**

<sup>†</sup> (FG-\*) Indicates stock number for the Flowgrid Valve Assembly associated with each body



# PARTS LIST - 12" V-8" Dual Port Valves

12" V-8"  
Dual Port

Includes: 12" V-8" Dual Port RF Flanged CL 150 - 600

Item	Description	Material	Part Number	Quantity
1	Body - Dual Port 12" CL 150 RF Flanged (FG-74) <sup>†</sup> 12" CL 300 RF Flanged (FG-75) <sup>†</sup> 12" CL 600 RF Flanged (FG-81) <sup>†</sup>	Carbon Steel (A216 Gr. WCB)	112-003-01 112-002-01 112-004-01	1
2	Stud 150 / 300 Class (3/4-10 UNC x 5.50) 600 Class (7/8-9 UNC x 6)	ANSI B-7	031-017-01 031-018-01	32 48
3	Roll Pin (1/4 x 1/2)	Steel	035-006-01	12
4	Body Seal	Nitrile	108-016-01	2
5	Throttle Plate 100% Capacity Drilled Hole 75% Capacity Drilled Hole 50% Capacity Drilled Hole 35% Capacity Drilled Hole	17-4PHSST	108-012-01 108-013-01 108-014-01 108-015-01	2
6	Spacer O-Ring	Nitrile	021-383-01	4
7	Spacer 150/300 Class 600 Class	Carbon Steel (A216 Gr. WCB)	108-011-01 108-010-01	2
8	Diaphragm 75 Durometer 60 Durometer 80 Durometer Hi-ACN 80 Durometer Lo-ACN	Nitrile / Nylon Nitrile / Nylon Nitrile / Nylon Nitrile / Nylon	108-002-01 108-002-02 108-002-03 106-002-04	2
9	Main Spring	301 Stainless Steel	108-009-01	2
10	Spring Case 150 / 300 Class 600 Class	Carbon Steel (A216 Gr. WCB)	108-008-01 108-007-01	2
11	Nut 150 / 300 Class (3/4 UNC) 600 Class (7/8 UNC)	ANSI 2H	032-004-01 032-005-01	32 48
12	Capacity Tag 150/300 Class (3/4) 600 Class (5/8)	Brass	100-014-01 100-013-01	2 2
13	Eyebolt Spring Case (5/8) Valve Body (3/4)	Steel	033-004-01 033-002-01	3 2 1

**Boxed items indicate recommended spare parts**

<sup>†</sup> (FG-\*) Indicates stock number for the Flowgrid Valve Assembly associated with each body

